



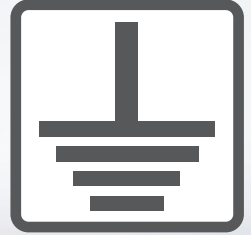
Always use Infinity brackets to install



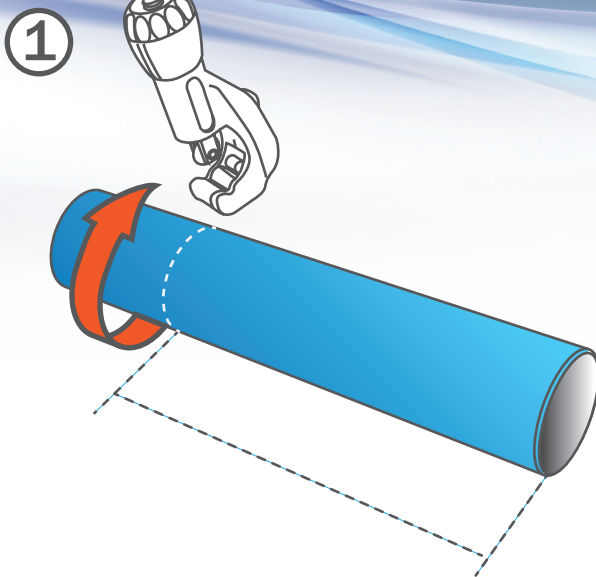
Never bury a Infinity system in soil



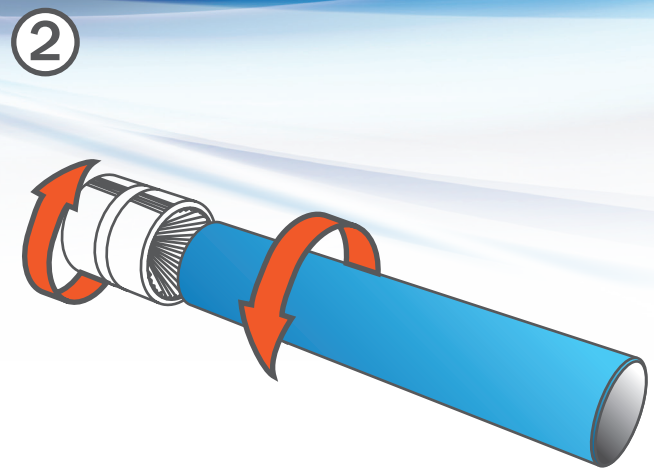
For a complete breakdown on the installation procedure, please refer to Infinity catalogue



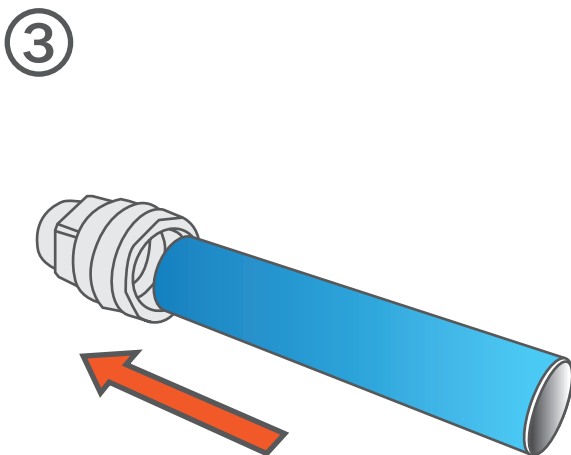
Install system floating to ground



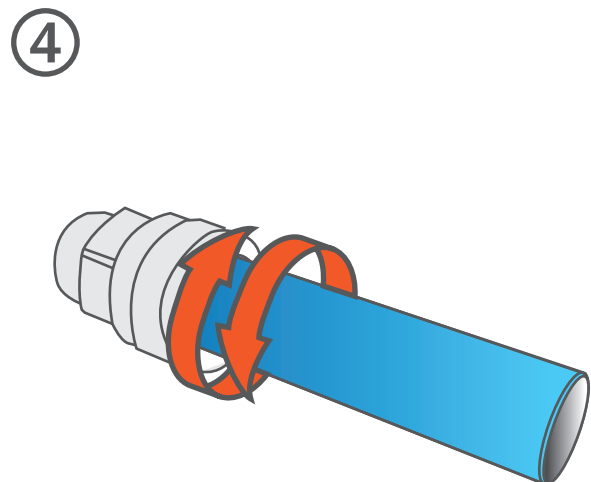
Cut tube to length



Chamfer end of tube



Push tube into seat of fitting



Check tightness of fitting