



**infinity**  
pipe systems



## INFINITY SAFETY SERIES BLOWGUNS, COUPLERS AND HOSES

### *Giving you Peace of Mind.*

Infinity's Safety Series provide unique and innovative compressed air solutions, while complying with some of the industry's toughest safety standards.

The Safety Blower, Recoil Hose and NSC Couplings boast a number of high quality security features and controls, ensuring your safety during use.



#### **INFINITY BLOW GUN MAXIMISING WORKPLACE SAFETY**

Embodying quality nickel-plated features, the Infinity 322 Safety Blower is designed to protect the operators' safety as opposed to standard Blowers.

While featuring a protective air-screen, this blower also has the ability to automatically stop functioning should it detect a hand over the nozzle.



#### **NSC COUPLINGS DESIGNED TO GUARD AGAINST INJURIES**

The NSC couplings boast extra safety features which are user friendly and support the double locking and advanced venting system.

With a patent valve structure providing stable high flow output, these couplings are specially designed to guard against workplace injuries and aid in maximum efficiency of pneumatics systems and tools.



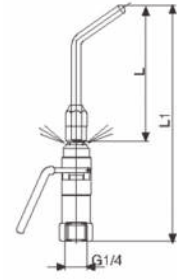
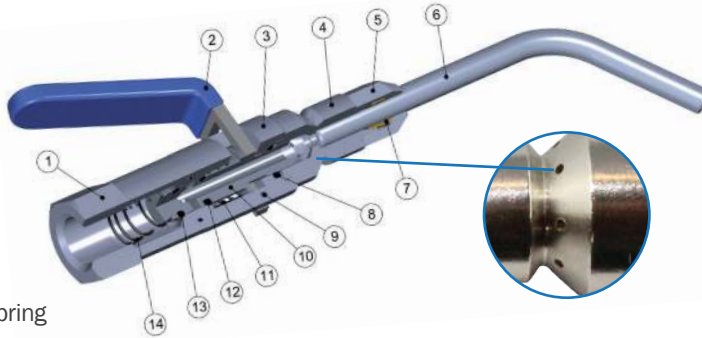
#### **RECOIL HOSE EXCEPTIONAL WEAR AND KINK RESISTANT**

While you can cut a coil hose with a sharp knife, it is at least 10 times more tear resistant than other hoses.

Most oils and fuels will not affect the coil, and it is almost impossible to permanently kink. The recoil hose resists everyday abuse without leaving a dent, and spring guards are not required.

# INFINITY 322 BLOWGUN

- 1 Nickel-plated Brass Back Connection
- 2 Nickel-plated Brass Handferro Plastified
- 3 Nickel-plated Brass Central Body
- 4 Nickel-plated Brass Front Body
- 5 Nickel-plated Brass Locking Nut
- 6 Nickel-plated Brass Nozzle
- 7 Brass Clamping olive
- 8 NBR 70 O-RING Seals
- 9 Steel Pin
- 10 Nickel-plated Brass Plunger
- 11 Steel AISI 302 Plunger Thrust Spring
- 12 NBR 70 O-RING Seals
- 13 NBR 70 O-RING Seals
- 14 Steel AISI 302 Plunger Back Spring



CODE	DESCRIPTION
322-90	90mm Safety Blow Gun
322-200	200mm Safety Blow Gun
322-290	290mm Safety Blow Gun

# POLYURETHANE RECOIL HOSE

## TOUGH FROM THE INSIDE OUT

Polyurethane is an extremely tough plastic, used everywhere from skate board wheels to auto bumpers. Our polyurethane retractable hoses are the ideal choice for tough and challenging air tool hose requirements.

## EXCEPTIONAL WEAR AND KINK RESISTANT

While you can cut a coil hose with a sharp knife, it is at least 10 times more tear resistant than other hoses. Most oils and fuels will not affect the coil, and it is almost impossible to permanently kink. The recoil hose resists everyday abuse without leaving a dent, and spring guards are not required.

## RECOIL THAT LASTS AND LASTS

Put our coil to the test – stretch it out to full length, give it a further strong pull, and then release. Watch the hose recoil right back, regaining it's memory immediately. The coil has a memory that can be depended on.



CODE	DESCRIPTION	W.P 23 °C	B.P 23 °C
PURC1/4X5M	1/4" ID Recoil Hose 5m	145 PSI	450 PSI
PURC1/4X7.5M	1/4" ID Recoil Hose 7.5m	145 PSI	450 PSI
PURC1/4X10M	1/4" ID Recoil Hose 10m	145 PSI	450 PSI

# NSC SAFETY COUPLINGS

## FEATURES AND BENEFITS

- ✓ Maximum safety avoiding risk of hose whip or accidental disconnection
- ✓ High performance
- ✓ Flexible and automated action mechanism
- ✓ Limited pressure drop
- ✓ Thread sealing gasket
- ✓ Main material: aluminium alloy
- ✓ Sealing material: NBR
- ✓ Optimised flow rate: 75 SCFM
- ✓ Maximum working pressure: 300 psi
- ✓ Operating temperature: -20°C - 80°C
- ✓ Locking Mechanism



## FEMALE COUPLING (LOCKABLE)

CODE	DESCRIPTION
NSC-20SF	One Touch Female Coupling 1/4"



## MALE COUPLING (LOCKABLE)

CODE	DESCRIPTION
NSC-20SM	One Touch Male Coupling 1/4"
NSC-30SM	One Touch Male Coupling 3/8"
NSC-40SM	One Touch Male Coupling 1/2"



## BARBED COUPLING (LOCKABLE)

CODE	DESCRIPTION
NSC-20SH	One Touch Barbed Coupling 1/4"
NSC-30SH	One Touch Barbed Coupling 3/8"
NSC-40SH	One Touch Barbed Coupling 1/2"